



INSTALLATION GUIDE

INTRODUCTION

Read this guide carefully before installing the ANGELOCKS® safety cable. It gives instructions for the installation of the cable, what to pay attention to and how to install it in more complex cases.

N.B. The descriptions and drawings in this guide must not be considered strictly binding. We reserve the right to make modifications without being obliged to update the guide every time.



IMPORTANTI

Different materials and types of windows profiles require different types of mounting accessories. Consult the window profile manufacturer or supplier for information about the most suitable screws to use.

In any case, the ANGELOCKS® safety cable must be installed by a professional installer who knows how the various types of windows work.

The installer is responsible for the correct mounting of the system, the secure tightening of the screws and the correct opening/closing of the window.

The warranty covers solely the ANGELOCKS® safety cable and not its installation and/or improper use.

If an accident has occurred, the ANGELOCKS® safety cable must always be replaced!

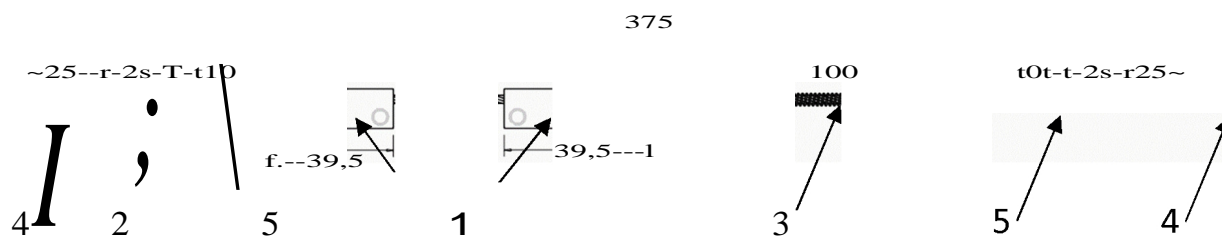
SAFETY WARNINGS



1. Read these instructions before installing the ANGELOCKS safety cable.
2. Wear a safety helmet and protective goggles
3. Wear safety gloves
4. Take care not to trap your hands and fingers in the window
5. Use fall protection devices

WORK SAFE

PARTS OF THE ANGELOCKS SAFETY CABLE



1. Aluminium perforated fixing plate dim. 39.5x10x12mm
2. 7x19 AISI 316 steel wire, length 375mm, diameter 2.5mm
3. Spring, length 100mm
4. AISI 304 stainless steel pressed tube, length 25mm
5. Copper pressed tube, length 10mm



ANGELOCKS is also available in size XL, steel wire **length 500mm**. This "non standard" size is used for awning windows with wide opening of the leaf casement.

POSSIBLE USES OF THE ANGELOCKS SAFETY CABLE

The ANGELOCKS safety cable has been designed for use on most types of windows, both on those already present on the market for decades and newer types.

The windows can be in metal (aluminium, iron, etc.) or in uPVC or wood.

6 screws are needed for the installation of the ANGELOCKS safety cable.

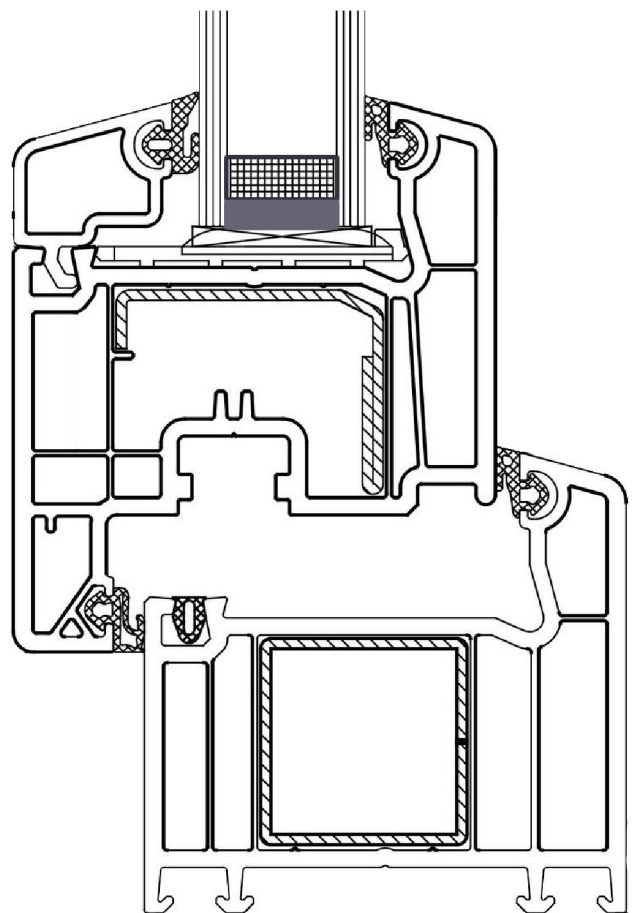


WARNING

Every window has its own specific characteristics, such as the type of material used (iron, aluminium, PVC, wood, etc.), the way it is assembled, how the various accessories are installed (fixing, closing systems etc.), different opening possibilities, etc.

Before installation, it is essential to know all the characteristics of the window profile to decide where to position the ANGELOCKS safety cable and what type of screws to use.

Always contact the window profile supplier or manufacturer for information about what type of screws to use.



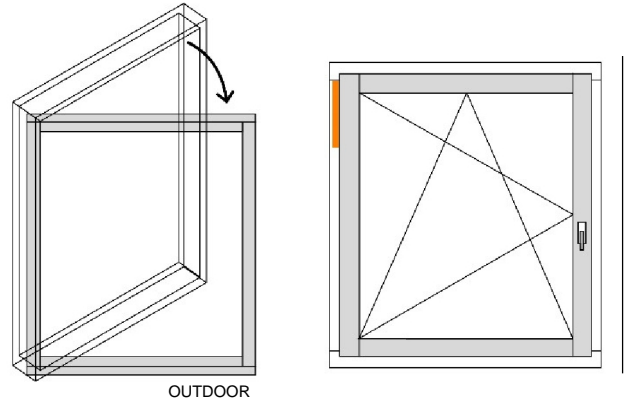
TYPES OF WINDOWS ON WHICH ANGELOCKS CAN BE USED

The ANGELOCKS safety cable has been tested and certified on various types of windows. The instructions for applying the cable are given below for the various types of windows.

Tilt and turn single sash/casement window

The ANGELOCKS safety cable must be installed as high as possible on the hinge side.

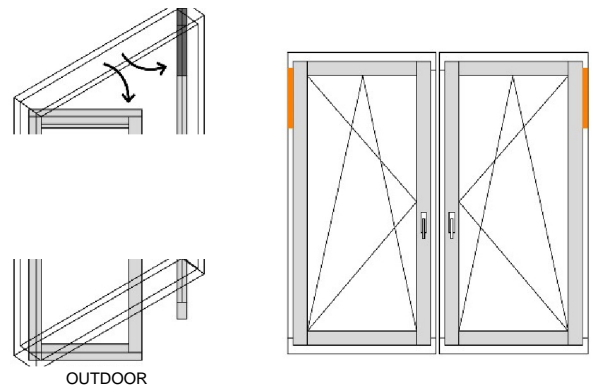
Maximum load of the sash: 174 kg



Tilt and turn double sash/casement window

The ANGELOCKS safety cable must be installed as high as possible on the hinge side of both sashes.

Maximum load of each sash: 174 kg



Awning windows (top hinged)

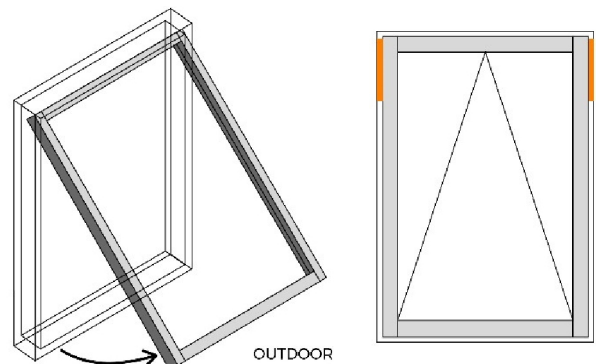


2 ANGELOCKS safety cables must be used

On awning windows, the cable must be positioned on both sides, above the opening arms.

In the case of installation below the opening arms, check if it is necessary to use the XL version of ANGELOCKS (length 500 mm)

Maximum load of the sash: 200 kg



Awning windows (side hinged)

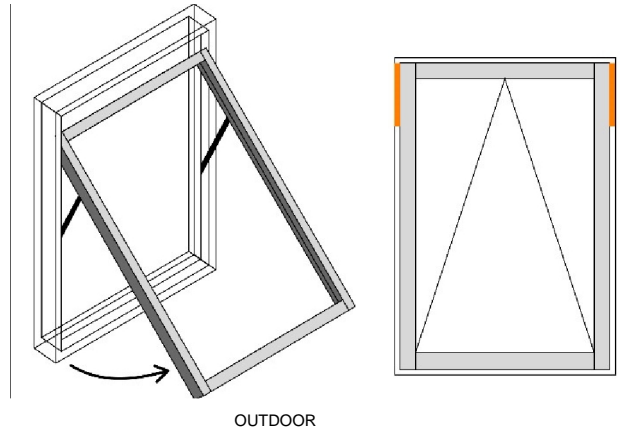


2 ANGELOCKS® safety cables must be installed

On awning windows, the cable must be positioned on both sides, above the opening arms.

In the case of installation below the opening arms, check if it is necessary to use the XL version of ANGELOCKS® (length 500 mm)

Maximum load of the sash: 200 kg



Hopper window (bottom hinged)

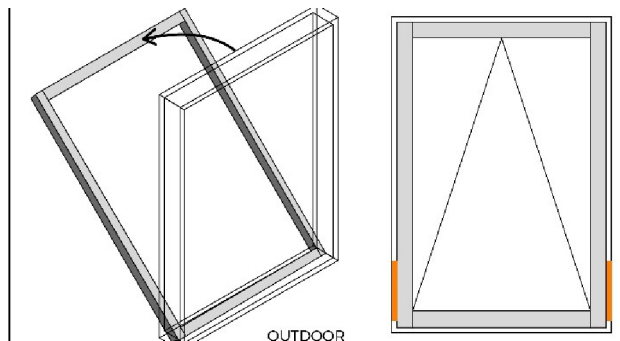


2 ANGELOCKS® safety cables must be installed

On hopper windows, internally, the cable must be positioned on both sides, below the opening arms.

In the case of installation below the opening arms, check if it is necessary to use the XL version of ANGELOCKS® (length 500 mm)

Maximum load of the sash: 200 kg

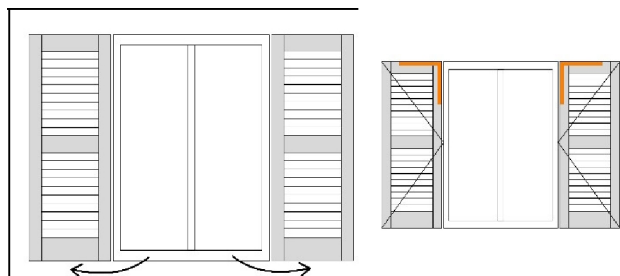


Exterior Window Shutter

The ANGELOCKS® safety cable can also be installed on exterior shutters.

A safety cable should be installed on each shutter.

Maximum load of the shutter: 174 kg



HOW TO INSTALL THE ANGELOCKS SAFETY CABLE

After obtaining information about the type of the window profile and type of screws to use, install the cable following the instructions below.

TIP: Before fixing the cable with screws, it is a good idea to try to fix it using double sided tape. In this way you can choose the best position for the cable and check that the window opens and closes correctly with the cable attached.

INSTALLATION ON TRADITIONAL "TILT&TURN" WINDOWS

Open the window as wide as possible.

Position the ANGELOCKS cable on the fixed part of the window, with the spring extended and facing upwards.

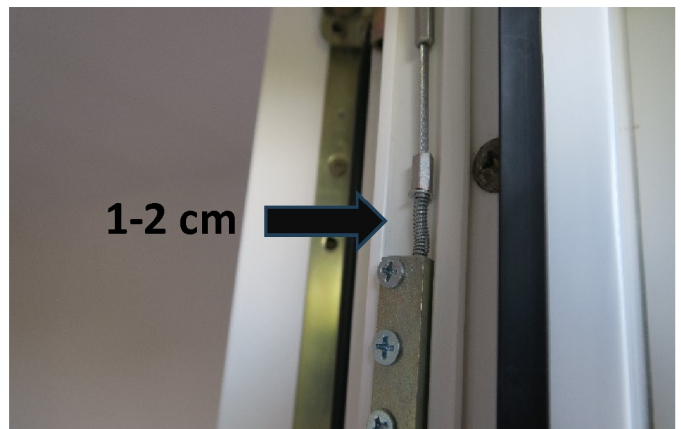
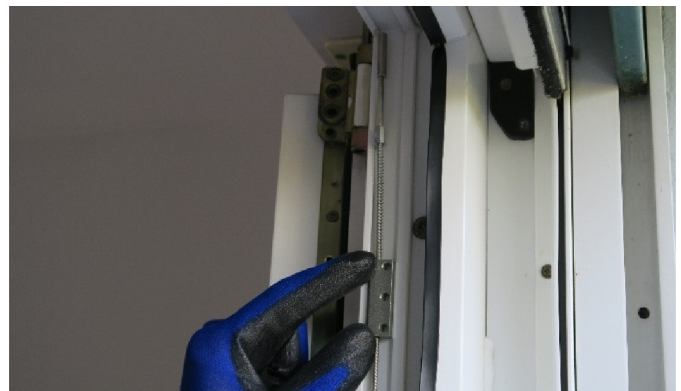
If necessary, the part of the cable with the spring can be installed on the sash (inversion of the cable). The safety cable works also in this mode.

Leave a space of at least 2-3 cm from the head.

After fixing the first perforated plate, pull the cable to fix the second perforated plate onto the sash.

The spring compresses when you pull the cable. Do not pull it to its maximum length. Leave at least **1 cm** of spring visible.

If the window cannot be opened to an angle of 180°, leave at least **2 cm** of spring visible.



Now fix the second plate using the screws recommended by the window profile supplier or manufacturer.

The ANGELOCKS safety system is now installed.

A Check that the window opens
~ ANGELOCKS and closes correctly!



5

INSTALLATION ON AWNING OR HOPPERWINDOWS

Open the window as wide as possible.

Position the ANGELOCKS safety cable so that it does not interfere with the window opening and closing movements.

If necessary, the part of the cable with the spring can be installed on the sash (inversion of the cable). The safety cable works also in this mode.



Fix the aluminium plates and tighten the screws as shown in the instructions "*Installation on normal tilt&turn windows*" from point 1 to point 5.

The right type of screws for the window frame must be used.



Consult the window profile manufacturer or supplier for information about the right screws to use for the window.



After installing the ANGELOCKS safety cable, check that the window opens and closes correctly!

Check that the cable does not interfere with the side opening arms!

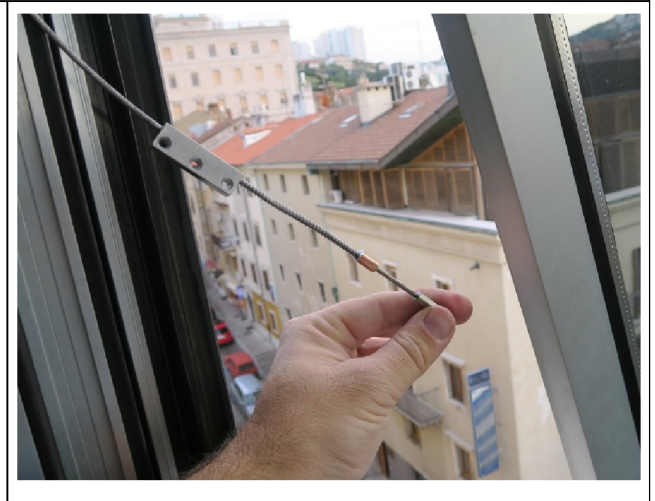


SAFETY CABLE SIZE XL

Before installing, check if the standard length ANGELOCKS safety cable is suitable for the type of window.



If a longer length is needed, use the XL ANGELOCKS safety cable (length 500mm).



Contact your retailer for further information about installation.

PRODUCT WARRANTY

The ANGELOCKS safety cable is 100% made in Italy using high quality materials and state of the art machinery.

General warranty conditions

1. The ANGELOCKS safety cable is covered by a 60-month warranty from the date of purchase.
2. The manufacturer replaces the product free of charge through its sales network.
3. The warranty is not valid in the following cases:
 - a. The product has not been installed correctly
 - b. The product has been damaged and/or broken
4. The warranty does not cover any direct or indirect damage caused to persons or objects by incorrect installation of the cable.
5. If an accident has occurred, the cable must necessarily be replaced with a new one.